

**INDIAN INSTITUTE OF TECHNOLOGY GOA**  
Goa College of Engineering Campus, Farmagudi, Ponda -403401, Goa

---

Enquiry No. IITGOA/2020-21/038

Date: 12/04/2021

**Corrigendum to the tender for Supply of Hydrogen Generator with Customized Nitrogen Generator  
Generator vide Enquiry No. IITGOA/2020-21/038 dtd. 30/03/2021.**

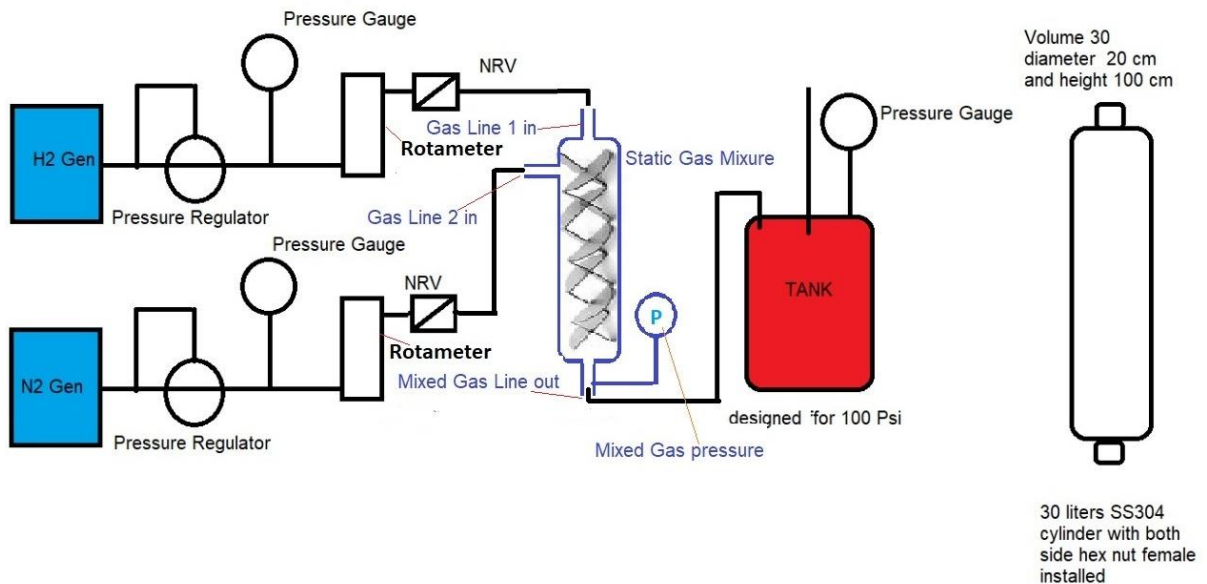
For the tender of Supply of Hydrogen Generator with Customized Nitrogen Generator at IIT Goa, the following clauses / paragraphs have been modified / added:

**Nitrogen requirement for the process:**

- Should have in-built air compressor to produce dry, oil-free and particulate free air.

**Additional Requirements:**

- Supplier has to arrange and provide all the component and accessories included as per the block diagram and configure the set up as per block diagram.



All other terms will remain same.

Sd/-  
Assistant Registrar